

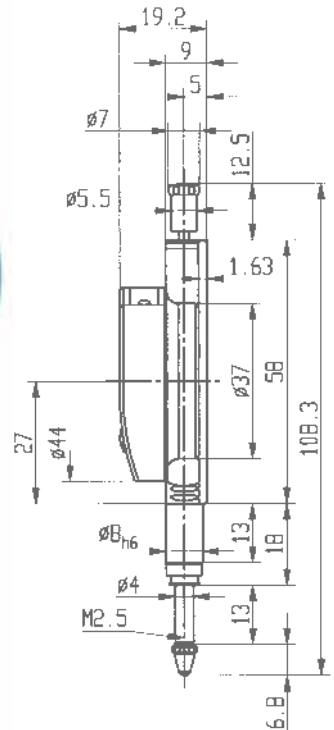
Small Digital Dial Gauge KMD 12 T

Following functions of the Small Digital Dial Gauge KMD 12 T can be used:

- Zero setting
- mm/inch selection
- Absolute / relative mode
- Preset value recall
- Data transmission
- Selection of measuring direction

The dovetail at the rear offers an additional fixing option.

The standard feeler can be exchanged for specially styled feelers as listed on pages 79 and 80.



Small Digital Dial Gauge KMD 12 T

Resolution	0,01 mm/.0005"
Range	12,5 mm/.5"
Digital display LCD, height of digits	6 mm
Measuring system	inductive
Power supply	on Lithium battery 3 V
Battery life	5000 h
Output	RS 232, with external power supply
Working temperature	+5 °C – +40 °C
Maximum error	20 µm/.0008"
Dimensioned drawing	page 74

Summary of important technical data of other Digital Dial Gauges and accessories

Digital Dial Gauges	Resolution	Range	Bezel-Ø	Stem-Ø	Maximum error	Data cable	Special feature
KMD 12 T wa	0,01 mm	12,5 mm	44 mm	8 h 6	20 µm	DCKMD 232	water protected
FKMD 12 T	0,001 mm	12,5 mm	44 mm	8 h 6	5 µm	DCKMD 232	
MD 50 T	0,01 mm	50 mm	60 mm	8 h 6	20 µm	DCMD 232	
FMD 50 T	0,001 mm	50 mm	60 mm	8 h 6	8 µm	DCMD 232	
MD 100 T	0,01 mm	100 mm	60 mm	8 h 6	20 µm	DCMD 232	
FMD 100 T	0,001 mm	100 mm	60 mm	8 h 6	9 µm	DCMD 232	
DK 30	0,001 mm	0,8 mm	44 mm	-	10 µm	DCKMD 232	model lever type

Accessories	Model	Technical features	Suitable for model
Data cable	DCMV 232	2m long, SUB-D jack 9-pin	MDMV 12 T
Data cable	DCMV DIGIMATIC	2m long, flat connector 10-pin	MDMV 12 T
Data cable	DCMD 232	Max. 15 m, standard 2m long, SUB-D jack 9-pin/F	MD 12 T, MD 25 T, MD 50 T, MD 100 T FMD12T, FMD25T, FMD50T, FMD100T
Data cable	DCKMD 232	Max. 15 m, standard 2m long, SUB-D jack 9-pin/F; power supply	KMD 12 T, KMD 12 Twa, FKMD 12 T, DK 30
Battery	BCR 2032	Lithium 3V type CR 2032	For all Digital Gauges

The cable for data transmission is not included in the scope of supply of Digital Dial Gauges but has to be ordered separately.